

LED Tubes



Product Description

Led Tube lights has half aluminum and half pc cover design, High luminous efficiency . robust components and strong. Convention installation for replacing traditional fluorescent tubes excellent LED driver and thermal management,High-performance illumination that lasts 100,000HRS. with typical energy savings of 80%.

Applications:

Indoor offices, Shopping mall, any other commercial areas



Electric Characteristic

Specification/Model	LS-SMDT8-18WBC	LS-SMDT8-22WBC	LS-SMDT8-18WBF	LS-SMDT8-22WBF
Beam Angle	120° (Aluminum+Plastic)			
Input power	18W	22W	18W	22W
Lumens output	1800-1980lm	2200-2420 lm	1710-1890 lm	2090-2310 lm
Lumen efficiency	100-110LM/W	100-110LM/W	95-105LM/W	95-105LM/W
CRI	>80Ra			
Color Temperature	3000K/4000K/5000K			
Input voltage	100-277V			
Freqnency	50-60HZ			
Operation Temperature	-20+50°C			
Junction temperature	<75°C			
Power Supply Efficiency	90%			
Certificate	UL,cUL,DLC			
Equivalent	35-45W fluorescent	50W-60W fluorescent	70W-80W fluorescent	90W-100W fluorescent

DLC Ordering Model No Information

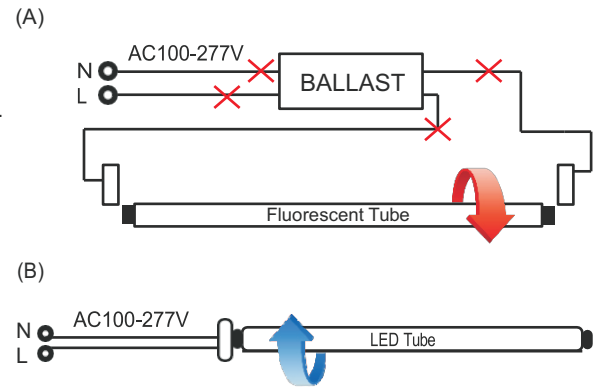
Example: LS-SMDT8-18WBCXXK

Product	Power	Replacement	Color Temperature	Motion Sensor
LS-SMDT8-18WBCXXK	18W	35-45W fluorescent	XX=30K 3000K	B=DLC Type B C=Clear Cover F=Frosted Cover
LS-SMDT8-22WBCXXK	22W	50W-60W fluorescent	XX=40K 4000K	
LS-SMDT8-18WBFXXK	18W	70W-80W fluorescent	XX=50K 5000K	
LS-SMDT8-22WBFXXK	22W	90W-100W fluorescent		

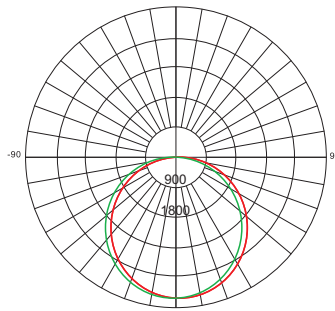
Connector options

Retrofit Procedure:

1. Turn OFF power to the fixture at the breaker panel before installation.
2. Open the diffuser from the light fixture.
3. Remove the fluorescent tubes and dispose of these properly as they may contain mercury.
4. Cut wires as shown on diagram (A).
5. Make new wire connection to the branch circuit as shown on diagram (B).
6. Replace the cover over the wiring channel.
7. Install the LED tubes and close the diffuser.
8. Switch ON power to the fixture at the breaker panel



Photometrics

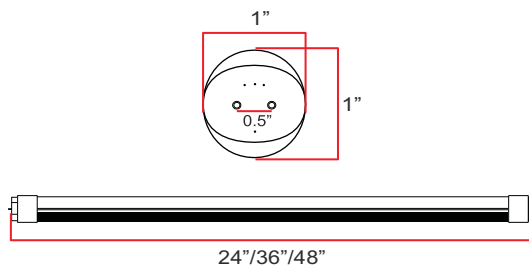


Projected LED Lumen Maintenance

Operating hours	0	25000	50000
Lumen maintenance factor	1	0.91	0.8

Data references the extrapolated performance projections for the Tube LED Lights platform in a 25°C ambient, based on 10,000 hours of LED testing (tested per IESNA LM-80-08 and projected per IESNA TM-21-11).

Dimensions



After sale Service:

The product refers to electricians knowledge. Please don't disassemble it by yourself. If any quality problem happens, please contact the factory for warranty details.

NOTE: Actual performance may differ as a result of end-user environment and application. All values are without notice.