

Led Troffer

Product Description

LED Troffer is designed by aluminum for best heat dissipation, central basket generate an even light distribution to the floor, equipped with long life LEDs and UL Drivers, the fixtures ensures over 130LM/w light output and best color, replacing 60-300w Metal Halide or HPS light source, with over 80% power Saving performance.



Applications:

Indoor offices hospitals schools or commercial areas.



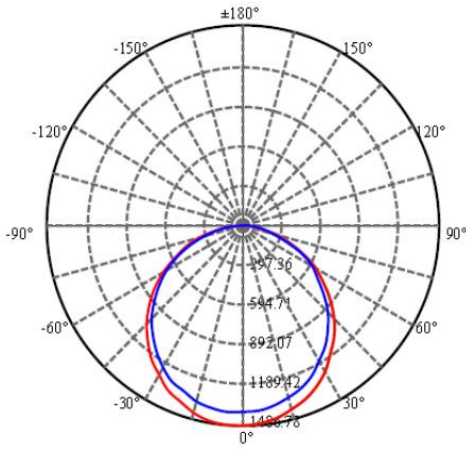
Electric Characteristic:

Specification/Model	LS-TR2F28W	LS-TR2F40W	LS-TR4F40W	LS-TR4F60W
LED Chips	Lm80 HONGLI SMD2835			
Input power	28W	40W	40W	60W
Lumens output	3360LM	4800LM	4800LM	7200LM
Efficiency	120LM/W	120LM/W	120LM/W	120LM/W
CRI	>80Ra			
Color Temperature	3000K 4000K 5000K			
Input voltage	100-277V			
Dimming	0-10V DIMMABLE			
Motion Sensor	Available			
Total Harmonic Distortion	11.2%			
Power Factor	0.92			
Certificate	UL,cUL,DLC			
Equivalent	60-100W MH/HPS	100-200W MH/HPS	100-200W MH/HPS	200-300W MH/HPS

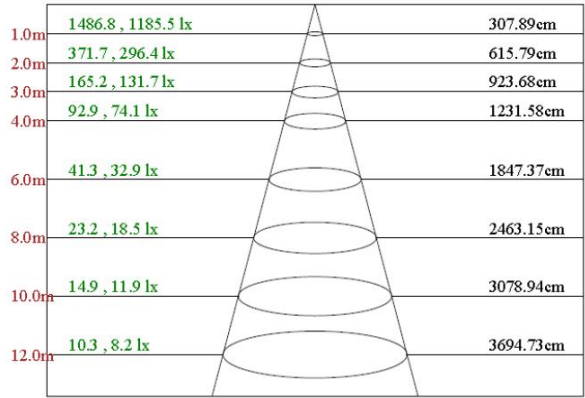
DLC Ordering Model No Information

Product	Power	Replacement	Color Temperature	Options
LS-TR2F28W	28W	60-100W MH/HPS	30K 3000K 40K 4000K 50K 5000K	TR=troffer 2F=2×2FT 4FT=2×4FT
LS-TR2F40W	40W	100-200W MH/HPS		
LS-TR4F40W	40W	100-200W MH/HPS		
LS-TR4F60W	60W	200-300W MH/HPS		

Photometrics



Lux distance Curve

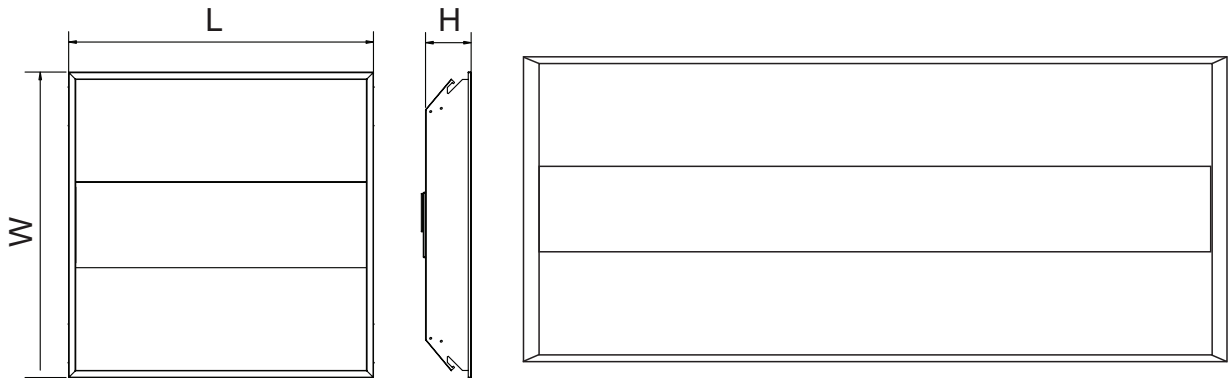


Projected LED Lumen Maintenance

Operating hours	0	25000	50000
Lumen maintenance factor	1	0.91	0.8

Data references the extrapolated performance projections for the Troffer LED platform in a 25°C ambient, based on 10,000 hours of LED testing (tested per IESNA LM - 80-08 and projected per IESNA TM-21-11).

Dimensions



Product	L	W	H
LS-TR2F28W	23.74"	23.74"	3.54"
LS-TR2F40W	23.74"	23.74"	3.54"
LS-TR4F40W	47.75"	23.74"	3.54"
LS-TR4F60W	47.75"	23.74"	3.54"

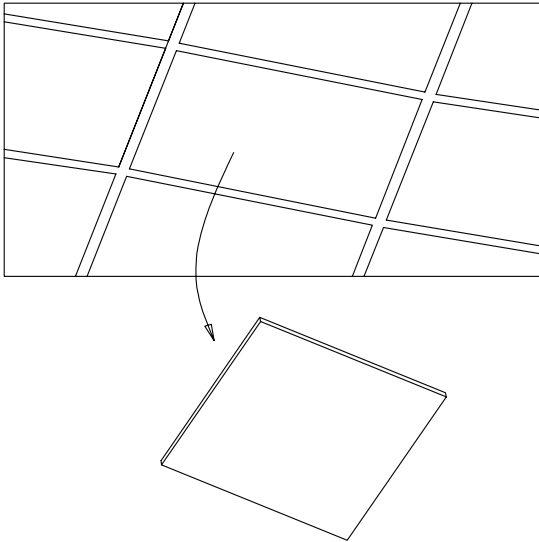
After Sale Service

The product refers to electricians' knowledge. Please don't disassemble it by yourself. If any quality problem happens, please contact the factory, for warranty details, contact factory.

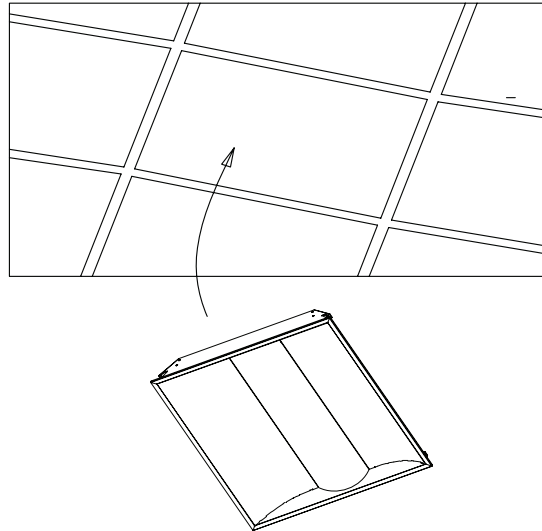
NOTE: Actual performance may differ as a result of end-user environment and application. All values are without notice.

INSTALLATION MANUAL

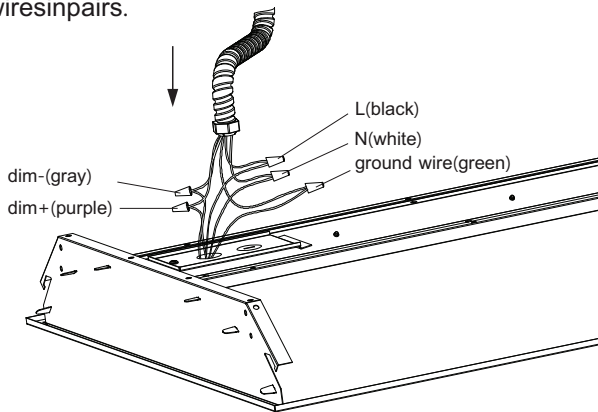
1. Remove 2x2 or 2x4 tile from ceiling.



2. Put on the LED troffer.



3. Connecting wire: As shown in the following figure: leading the wires plus use terminal cap to connect white wires, black wires and ground wires in pairs if dimming function is needed. Then you need use terminal cap to connect purple wires and gray wires in pairs.



4. Fixed wire hose on the troffer, then installation is completed.

